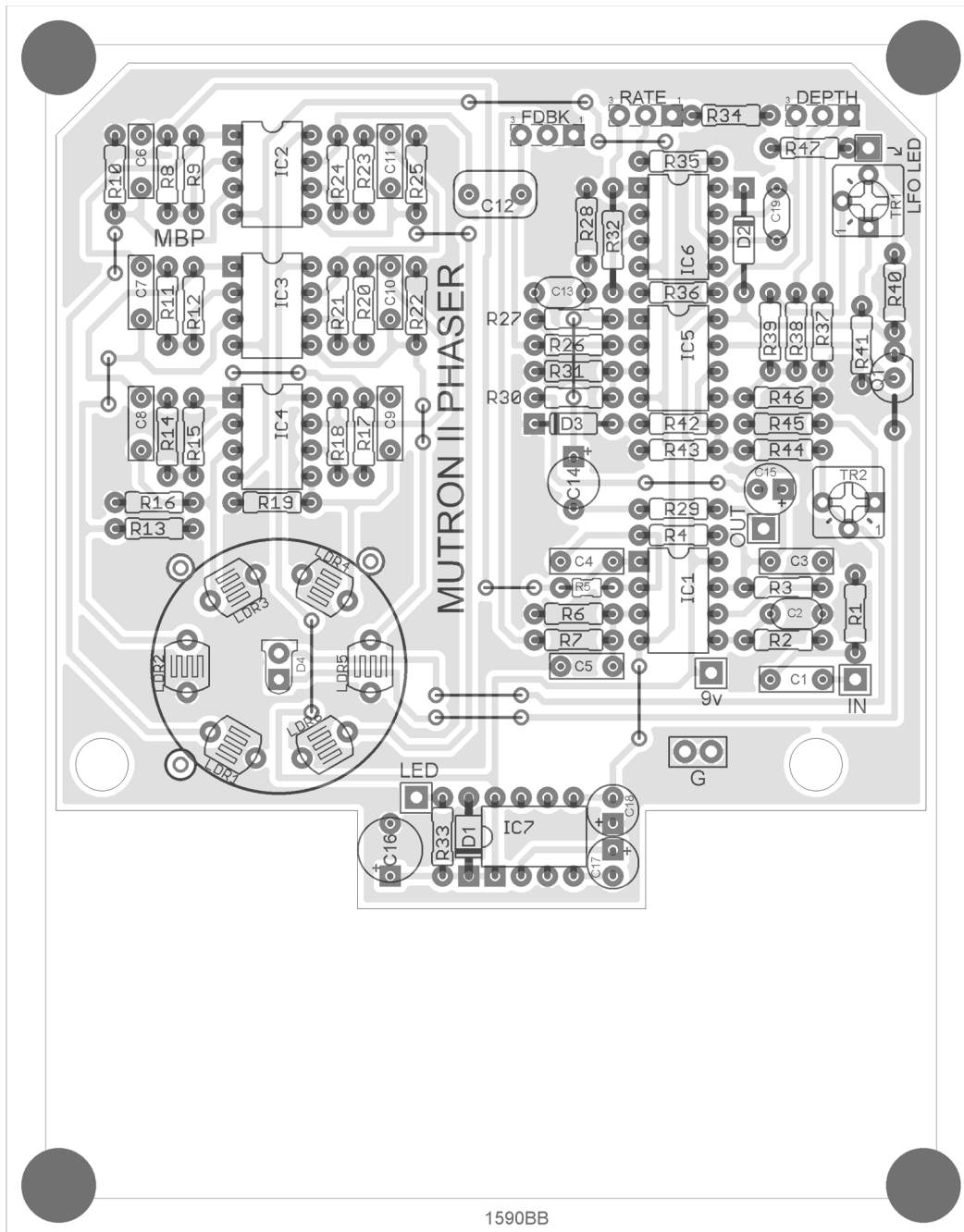


“nu-tron ii” phaser - 1590BB layout

This project made possible by forum member bangerang101 . Thank you!

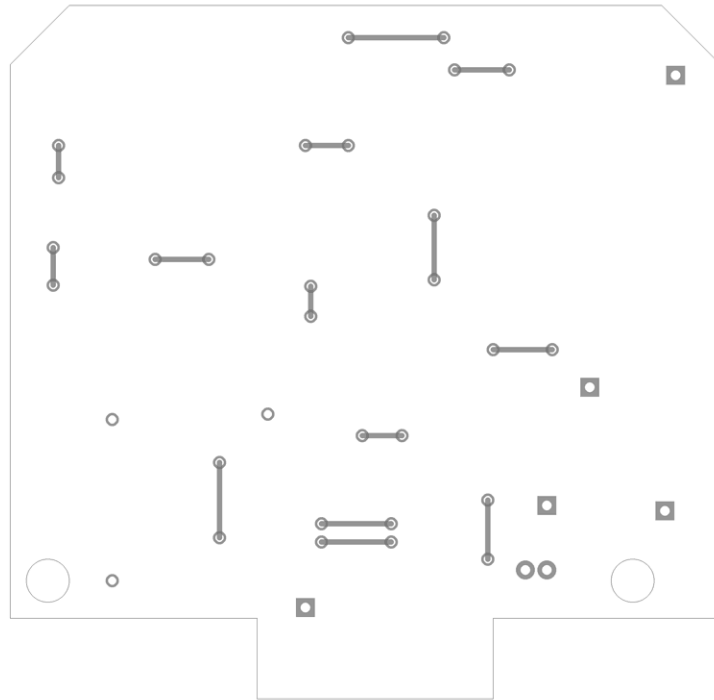
Layout



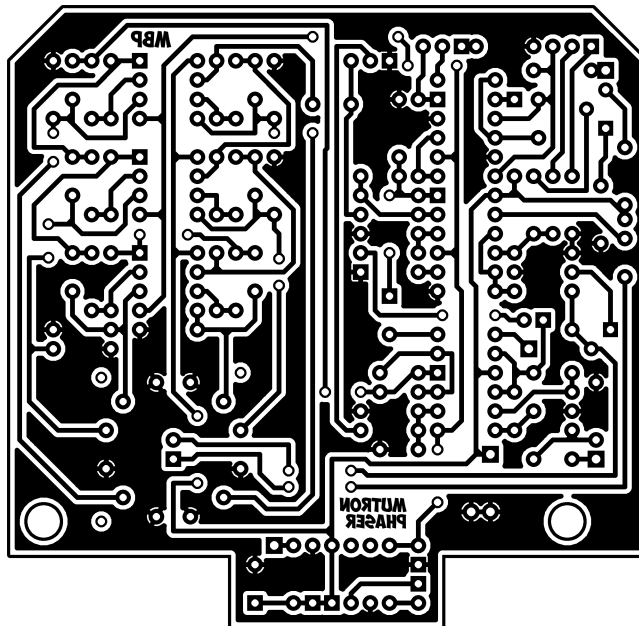
LFO LED added if you want an LED to indicate the Rate. R47 is the CLR.

layout © 2012 madbeanpedals schematic drawing © 2012 bangerang101

Jumpers

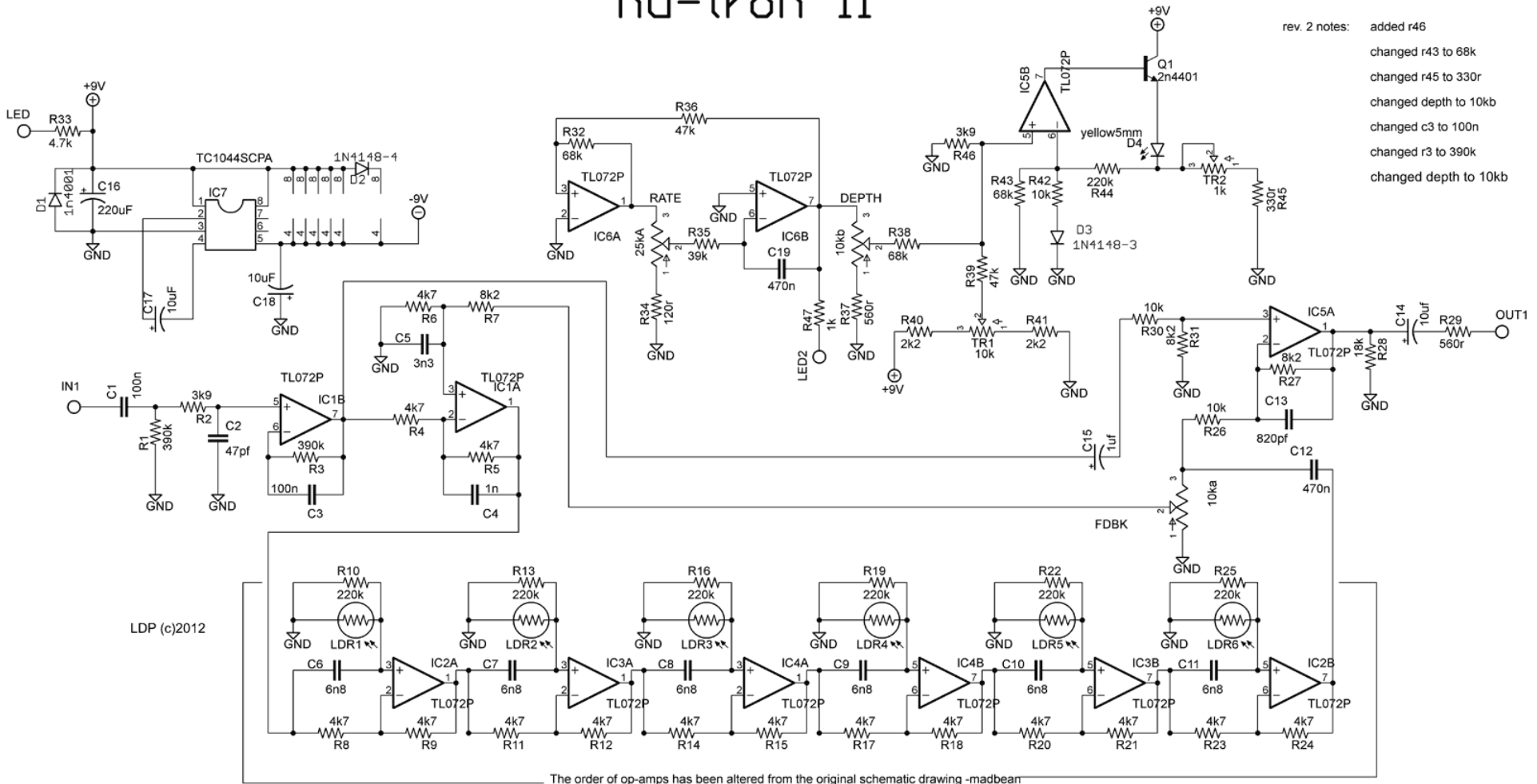


PNP



3.35"W x 3.25"H overall (including borders)

nu-tron ii



- rev. 2 notes:
- added r46
 - changed r43 to 68k
 - changed r45 to 330r
 - changed depth to 10kb
 - changed c3 to 100n
 - changed r3 to 390k
 - changed depth to 10kb

LDP (c)2012

The order of op-amps has been altered from the original schematic drawing -madbear